

LEGEND

THE LIGHT FITTING SUPPLIER CONTACT DETAILS MAY BE AVAILABLE ON THE EDG WEBSITE VIA THE FOLLOWING LINK www.edg.net.au/Links/Lighting.htm

TYPE	LAMPS	DESCRIPTION	COLOUR / ACCESSORY	CATALOGUE No
L1	40W 4000K LED	1200 X 300 LAY IN FLAT PLATE LED FITTING C/W REMOTE DRIVER MOUNTED IN A FLUSH RECESSED PLASTER BOARD KIT	WHITE TRIM	GAMMA ILLUMINATION PHANTOM 884501
L2	8W 4000K LED	RECESSED DOWNLIGHT C/W REMOTE DRIVER	WHITE	GAMMA ILLUMINATION MYLO 1004-4K-8W
L3	13W 4000K LED	RECESSED DOWNLIGHT C/W REMOTE DRIVER	WHITE	GAMMA ILLUMINATION COBALT 1400-4K-13W
L4	6347 LUMEN 4000K LED	500 DIA SURFACE MOUNTED FITTING C/W REMOTE CONTROL GEAR.	WHITE	BEGA 34 022.1K4
L5	11428 LUMEN 4000K LED	750 DIA PENDANT C/W REMOTE CONTROL GEAR. CONFIRM THE SUSPENSION HEIGHT ON SITE WITH THE ARCHITECT	WHITE	BEGA 56 570.K4
L6	2250LMM 90CRI 4000K LED	3200 LONG ROD SUSPENDED 3200 LONG 100 X 100 EXTRUSION C/W INTEGRAL DRIVER AND ADJUSTABLE CEILING FIXING	WHITE	KLIKSYSYSTEMS KALLI BEAM100D LEDopteck PC
L7	2250LMM 90CRI 4000K LED	4500 LONG ROD SUSPENDED 3200 LONG 100 X 100 EXTRUSION C/W INTEGRAL DRIVER AND ADJUSTABLE CEILING FIXING	WHITE	KLIKSYSYSTEMS KALLI BEAM100D LEDopteck PC
L8	13W 4000K LED	RECESSED ADJUSTABLE DOWNLIGHT C/W REMOTE DRIVER	WHITE	GAMMA ILLUMINATION CORBEL 1410-4K-13W
L9	42W 4000K LED	IP65 WALL LIGHT C/W INTEGRAL DRIVER CONFIRM THE MOUNTING HEIGHT ON SITE WITH THE ARCHITECT	BLACK	GAMMA ILLUMINATION DOCK BOX 1339-4K-42W
L10	36W LED 4000K	1200 LONG HORIZONTALLY MOUNTED IP65 DIFFUSED BATTEN C/W INTEGRAL ELECTRONIC CONTROL GEAR	LIGHT GREY	GAMMA STORM 1558-CCT-36
E1	LED	EMERGENCY LIGHT: RECESSED NON-MAINTAINED EMERGENCY LIGHT. AS2293 CLASSIFICATION C0-D40 - C90-D40.	WHITE	STANILITE SF1LEDP
EX	LED	EXIT LIGHT: MAINTAINED 24M VIEWING DISTANCE EXIT LIGHT C/W DIFFUSERS & DIRECTIONAL ARROWS AS SHOWN. CEILING OR WALL MOUNT BETWEEN 2100mm & 2700mm AFFL IF THERE IS NO VERTICAL SURFACE TO MOUNT THE FITTING ON WITHIN THIS RANGE CONFIRM THE MOUNTING HEIGHT WITH THE ENGINEER. AS2293 CLASSIFICATION C0-D3.2 - C90-E2. CONFIGURE THE FITTING SUCH THAT IT IS HORIZONTAL AND PROVIDE ALL NECESSARY MOUNTING ACCESSORIES.	WHITE LOGO GREEN BACKGROUND WHITE BODY	STANILITE PLSLEDP C/W MOUNTING ACCESSORIES AS REQUIRED
PD		ADJUSTABLE FLUSH RECESSED DUAL TECHNOLOGY 360 DEGREE ULTRASONIC PRESENCE DETECTOR TO OPERATE THE ASSOCIATED LIGHTS FOR A PRE-SET AMOUNT OF TIME. ADJUST THE TIME AND SENSITIVITY ON SITE AS DIRECTED BY THE ENGINEER.	WHITE	CLIPSAL SELECTION BY THE CONTRACTOR SUBMIT DETAILS OF THE MOVEMENT DETECTOR SWITCH FOR APPROVAL PRIOR TO ORDERING
SW		ONE-WAY LIGHT SWITCH C/W CIRCUIT IDENTIFICATION ON THE FACEPLATE BEHIND THE SURROUND MOUNTED AT 1100mm AFFL UNLESS NOTED OTHERWISE. PROVIDE THE SWITCH AS IP66 WHERE INDICATED	WHITE UNLESS NOTED OTHERWISE.	CLIPSAL ICONIC SERIES 30USM
SW		TWO-WAY LIGHT SWITCH C/W CIRCUIT IDENTIFICATION ON THE FACEPLATE BEHIND THE SURROUND MOUNTED AT 1100mm AFFL UNLESS NOTED OTHERWISE.	WHITE	CLIPSAL ICONIC SERIES 30USM
WP		IP56 ONE-WAY / TWO-WAY AS NOTED ON DRAWING LIGHT SWITCH C/W CIRCUIT IDENTIFICATION ON THE FACEPLATE BEHIND THE SURROUND MOUNTED AT 1100mm AFFL UNLESS NOTED OTHERWISE.	WHITE	CLIPSAL SERIES* '56
PO		SINGLE POWER OUTLET C/W CIRCUIT IDENTIFICATION ON THE FACEPLATE BEHIND THE SURROUND MOUNT AT 300mm AFFL U.N.O. RATING 10A U.N.O.	WHITE	CLIPSAL ICONIC SERIES
PO		DOUBLE POWER OUTLET C/W CIRCUIT IDENTIFICATION ON THE FACEPLATE BEHIND THE SURROUND MOUNT AT 300mm AFFL U.N.O. RATING 10A U.N.O.	WHITE	CLIPSAL ICONIC SERIES
WP		IP54 WEATHERPROOF SINGLE / DOUBLE POWER OUTLET AS NOTED ON DRAWING C/W COVER FLAP OVER SOCKET. MOUNT AT MINIMUM 1100mm AFFL U.N.O. RATING 10A U.N.O.	-	CLIPSAL WSCF227F
USB		DOUBLE POWER OUTLET C/W USB A AND USB C CHARGER. CIRCUIT IDENTIFICATION ON THE FACEPLATE BEHIND THE SURROUND MOUNT ABOVE BENCH U.N.O. RATING 10A U.N.O.	WHITE	CLIPSAL ICONIC SERIES
MO		MATV OUTLET MOUNTED ADJACENT TO THE GPO. CONNECT TO THE MATV HEADEND VIA A RG6 CABLE IN STAR CONFIGURATION.	WHITE	CLIPSAL ICONIC SERIES
SI		SINGLE-PHASE WEATHERPROOF ISOLATOR. MOUNT AT 1350mm AFFL U.N.O. RATING 20A U.N.O. CONNECT TO EQUIPMENT VIA FLEXIBLE CONDUIT.	-	CLIPSAL WHT20
SI		THREE-PHASE WEATHERPROOF ISOLATOR. MOUNT AT 1350mm AFFL U.N.O. RATING 20A U.N.O. CONNECT TO EQUIPMENT VIA FLEXIBLE CONDUIT.	-	CLIPSAL WHT35
HD		20A ISOLATING SWITCH WALL MOUNTED AT 2400mm AFFL AND CONNECTED TO THE HAND DRYER UNIT AS PER DETAIL.	-	CLIPSAL ICONIC SERIES 30USM
CO		RJ45 CAT-6 COMMUNICATIONS OUTLET, CABLED BACK TO THE COMMUNICATIONS RACK CR-A TERMINATED ONTO FACILITY PATCH PANELS VIA 4-PAIR CAT-6 UTP CABLE. MOUNT UP TO 3 RJ45 OUTLETS PER MULTI-GANG FACEPLATE WITH SEPARATE PERMANENT LABELLING FOR EACH OUTLET.	WHITE	CLIPSAL ICONIC SERIES

LEGEND

THE LIGHT FITTING SUPPLIER CONTACT DETAILS MAY BE AVAILABLE ON THE EDG WEBSITE VIA THE FOLLOWING LINK www.edg.net.au/Links/Lighting.htm

TYPE	DESCRIPTION
SEC	HIGH LEVEL WALL MOUNT SECURITY EQUIPMENT BY OTHERS MOUNT THE ASSOCIATED GPO WITHIN THE SECURITY PANEL
DB-A	NEW DISTRIBUTION BOARD INTEGRAL TO THE MSB. REFER TO THE NOTES AND THE DB-A SCHEDULE FOR ADDITIONAL REQUIREMENTS
MSB	REPLACE THE EXISTING MSB WITH A NEW SURFACE MOUNTED SWITCHBOARD INCORPORATING THE METERING AND DB-A REFER TO THE NOTES AND THE DB-A SCHEDULE FOR ADDITIONAL REQUIREMENTS
METER (M)	QCEM COMPLIANT DIRECT WIRED METER
COMMUNICATIONS RACK CR-A	PROVIDE CR-A AS A 18 RU 600 DEEP WALL MOUNTED HINGED COMMUNICATIONS RACK C/W A KEY LOCKABLE DOOR. PROVIDE THE RACK WITH CAT 6 PATCH PANELS TO ACCOMMODATE THE COMMUNICATIONS OUTLETS AND MTU TIE CABLES. PROVIDE THE RACK WITH A 6 X 10 AMP REAR MOUNTED POWER BOARD. PROVIDE A SHOP DRAWING OR CATALOGUE DETAILS OF THE RACK FOR APPROVAL

SEC

DB-A

MSB

M

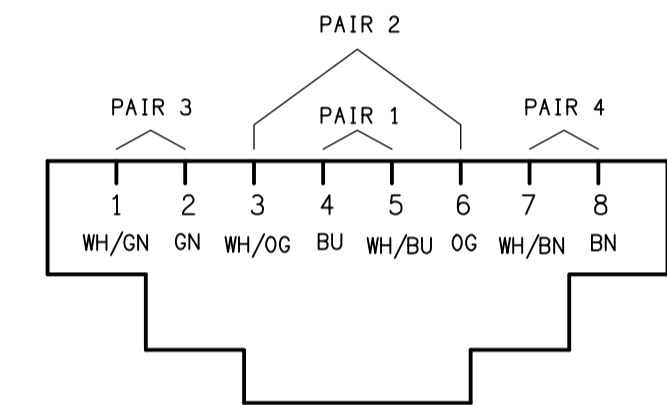
CR-A

NOTE

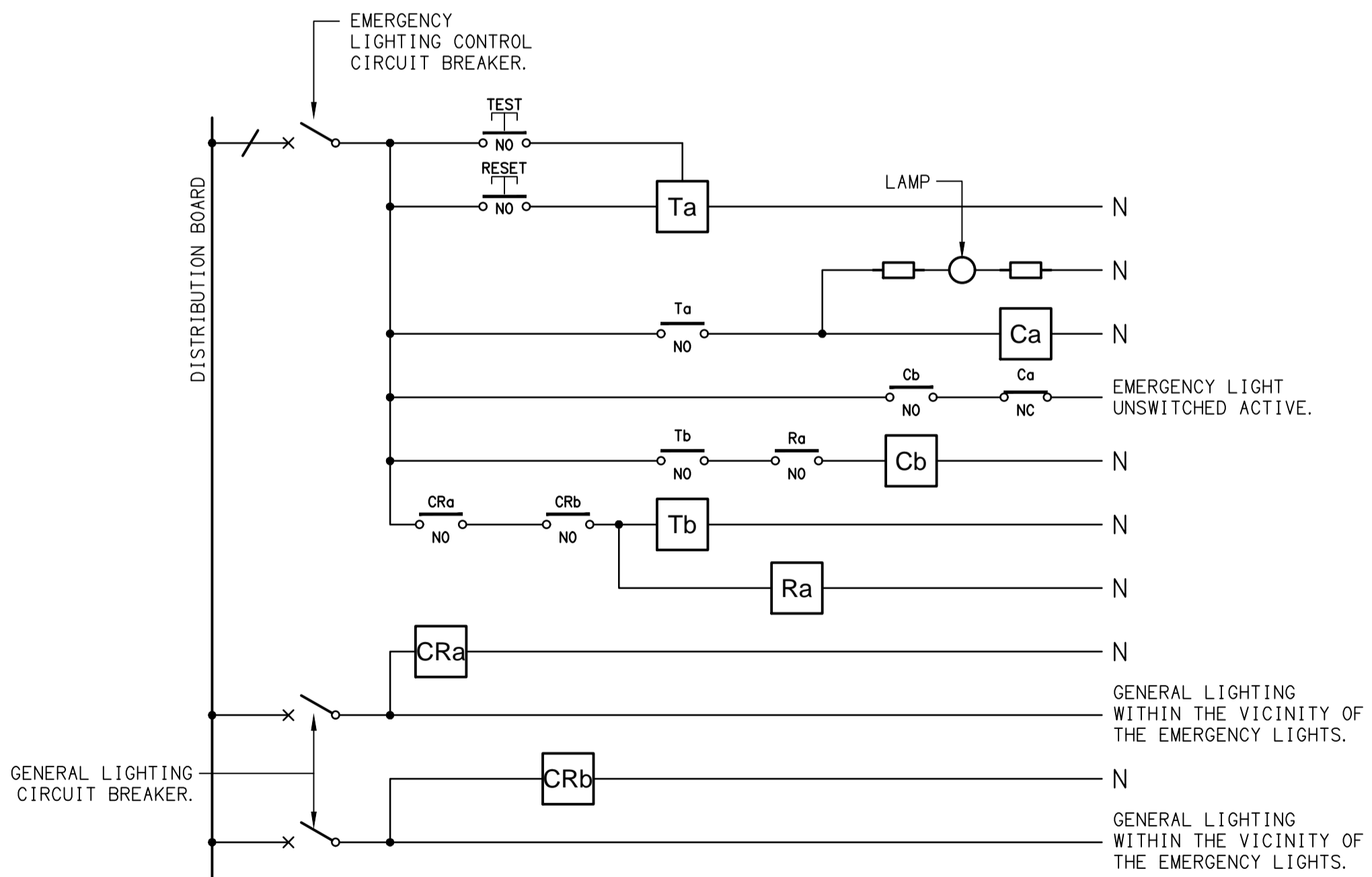
ALL ELECTRICAL PENETRATIONS THROUGH THE ROOF SHEETING ARE TO BE IN LINE WITH THE STRUCTURAL OR MECHANICAL SERVICES PENETRATIONS TO AVOID DEDICATED FLASHINGS FOR THE ELECTRICAL SERVICES.

EQUIPMENT:

- TEST - TEST PUSH BUTTON MOUNTED ON THE DISTRIBUTION BOARD ESCUTCHEON.
- RESET - RESET PUSH BUTTON MOUNTED ON THE DISTRIBUTION BOARD ESCUTCHEON.
- LAMP - AMBER TEST INDICATING LAMP MOUNTED ON THE DISTRIBUTION BOARD ESCUTCHEON.
- Ta - ADJUSTABLE 0-3 HOUR TIMED RELAY.
- Tb - 15 MINUTE RUN-ON TIMER TO OPERATE UPON THE RETURN OF MAINS POWER.
- Cx - CONTACTOR x.
- CRx - CONTROL RELAY x.
- Rx - RELAY x.



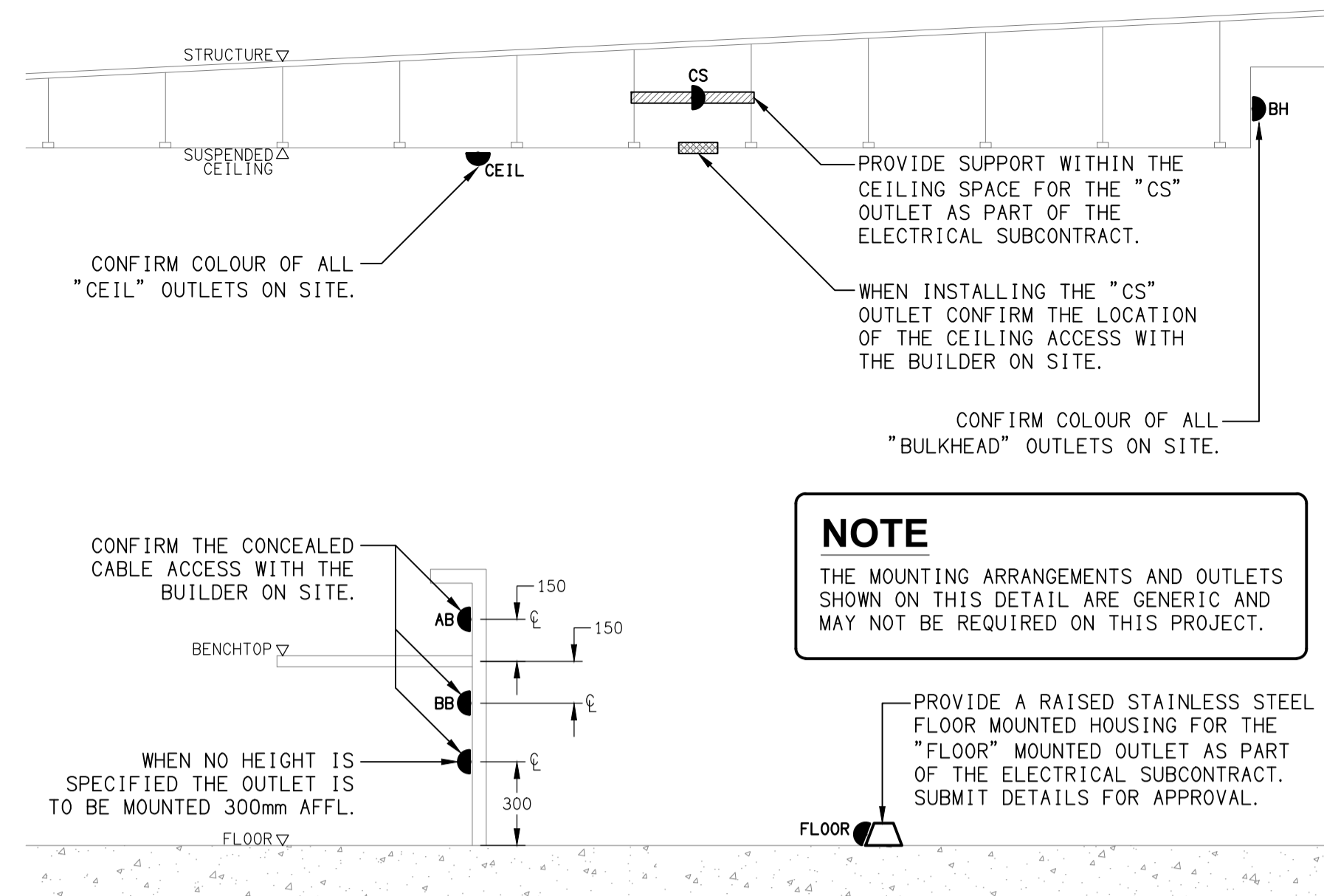
SCHEMATIC
RJ45 PINOUT CONFIGURATION
NOT TO SCALE



SCHEMATIC
EMERGENCY LIGHTING
NOT TO SCALE

NOTES

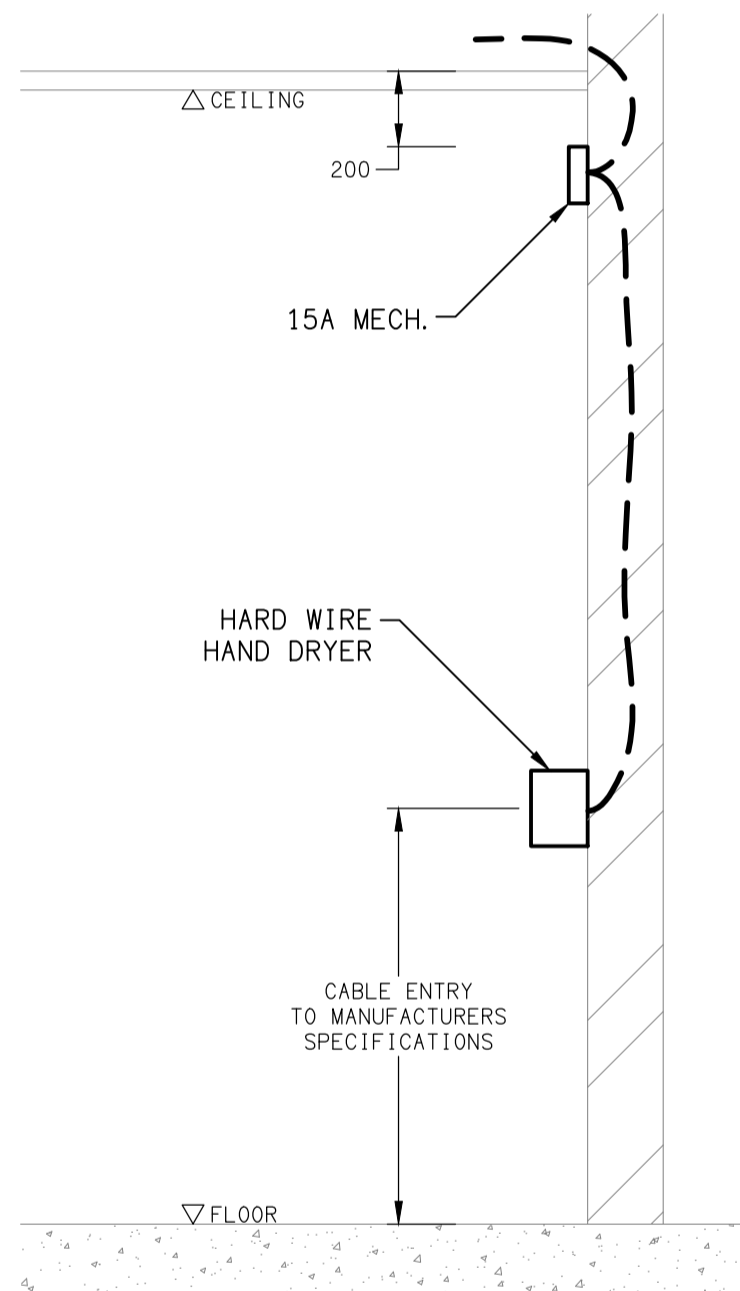
- THE EMERGENCY LIGHT UNSWITCHED ACTIVE / GENERAL LIGHTING SWITCHED ACTIVE CIRCUIT ARRANGEMENT AND CONTROL IS TYPICAL FOR ALL CIRCUITS SUPPLYING EMERGENCY LIGHTS.
- PROVIDE ADDITIONAL CONTROL RELAYS (CRx) CONFIGURED AS PER CRa AND CRb FOR ALL ADDITIONAL LIGHTING CIRCUITS THAT SUPPLY LIGHTS IN THE VICINITY OF THE EMERGENCY LIGHTS.



DETAIL
TYPICAL OUTLET MOUNTINGS
NOT TO SCALE

NOTE
THE MOUNTING ARRANGEMENTS AND OUTLETS SHOWN ON THIS DETAIL ARE GENERIC AND MAY NOT BE REQUIRED ON THIS PROJECT.

PROVIDE A RAISED STAINLESS STEEL FLOOR MOUNTED HOUSING FOR THE "FLOOR" MOUNTED OUTLET AS PART OF THE ELECTRICAL SUBCONTRACT. SUBMIT DETAILS FOR APPROVAL.



DETAIL
HAND DRYER CONNECTION
NOT TO SCALE